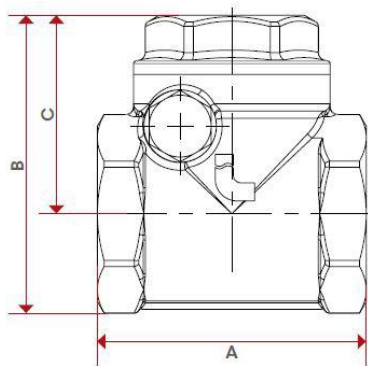


Applications: Water (no steam), neutral and non-corrosive liquid media, mineral oils.
 Only suitable for liquid media. Flap valve closes by gravity, therefore only possible to be installed horizontally!

| | |
|-----------------------|-----------------------------------|
| Operating temperature | 0 °C to 90 °C |
| Housing | Brass |
| Valve disc | Brass |
| Sealant | NBR |
| Standard thread | G thread acc. to DIN EN ISO 228-1 |

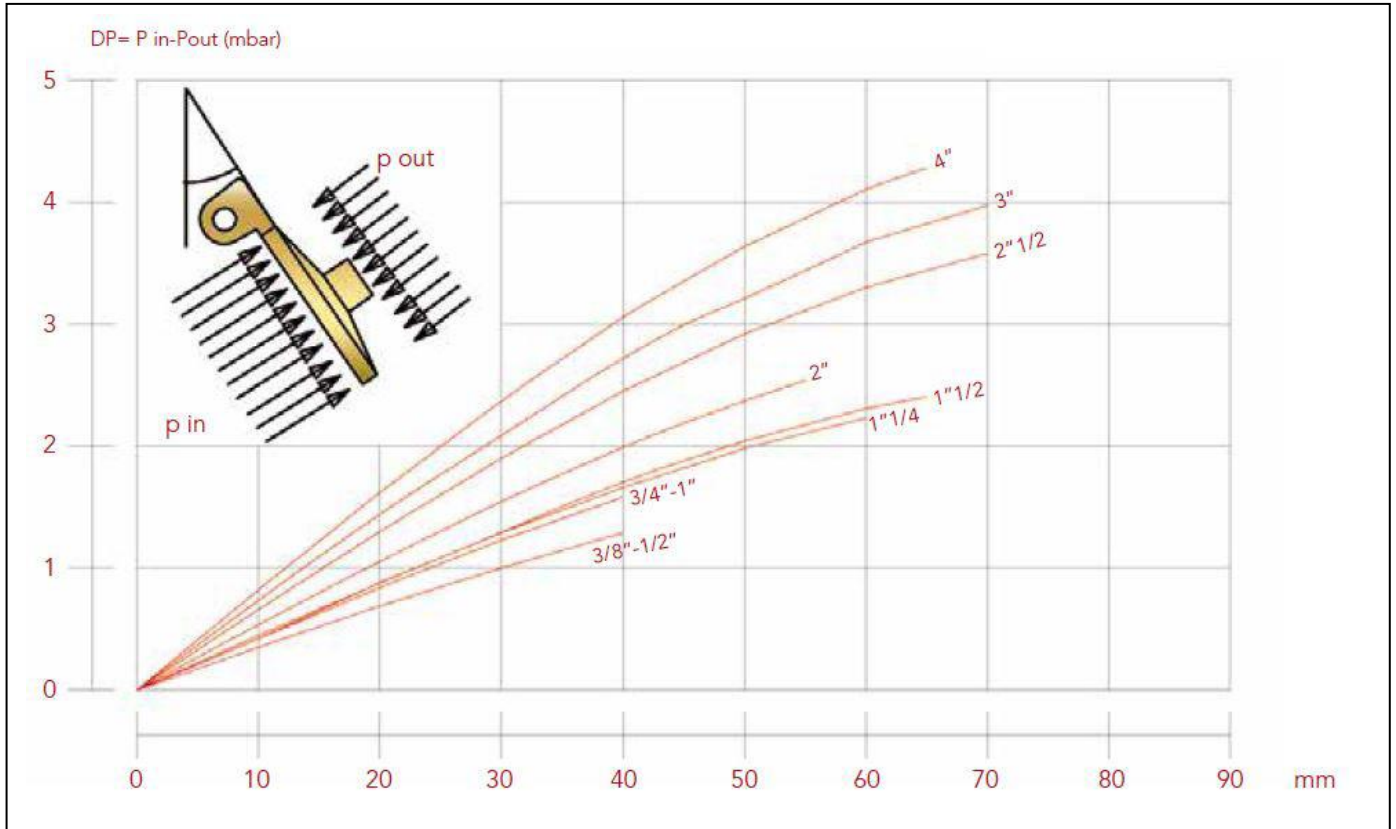


RK12MSNBRE

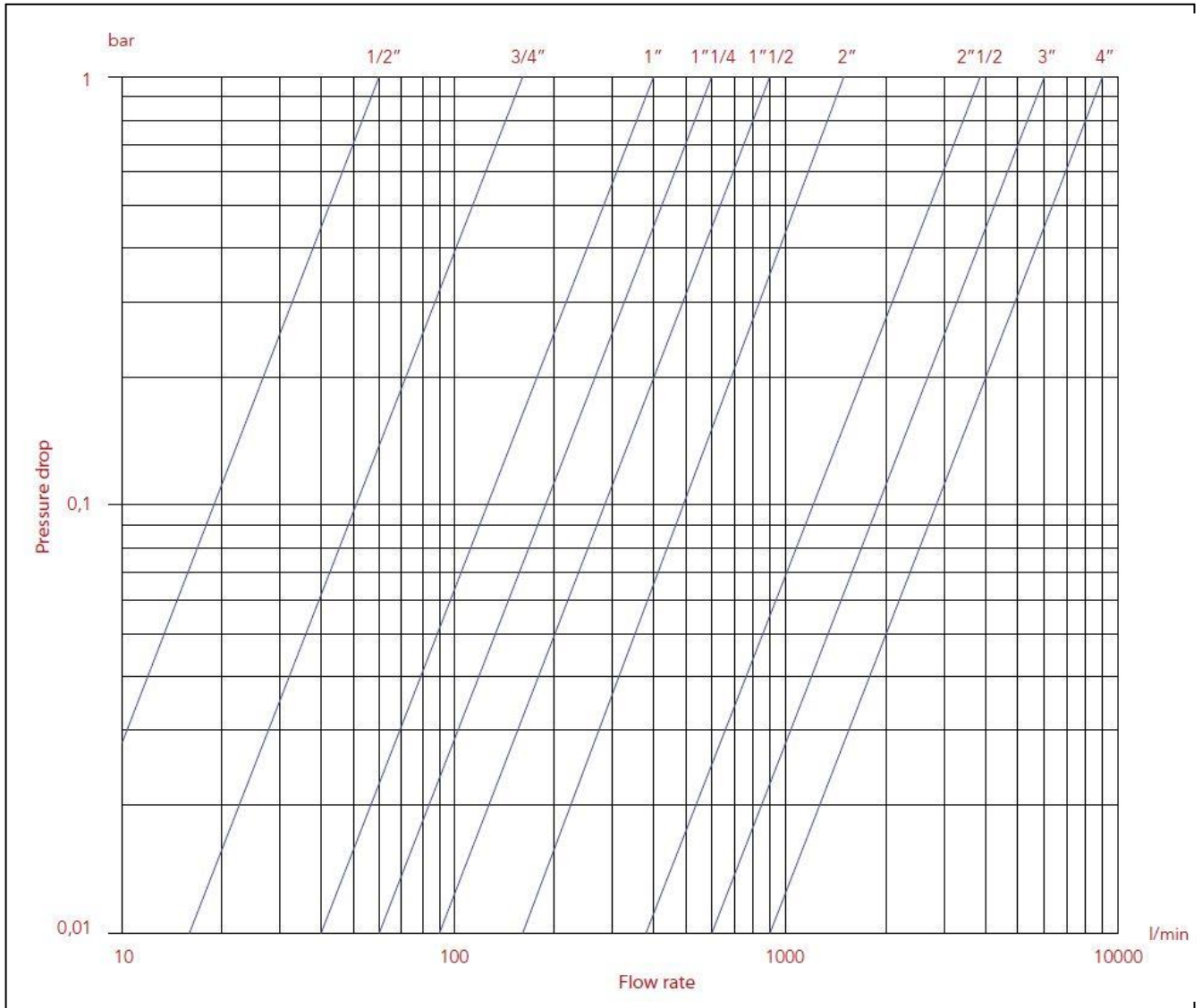
Check valve soft sealed, brass

| Art. No. | Type No. | Thread | DN | Max. operating pressure bar | a/f mm | A mm | B mm | C mm |
|----------|-------------|---------|----|--------------------------------|-----------|---------|---------|---------|
| 158063 | RK38MSNBRE | G 3/8 | 10 | 16 | 27 | 43.0 | 49.0 | 34.0 |
| 158064 | RK12MSNBRE | G 1/2 | 15 | 16 | 27 | 43.0 | 49.0 | 34.0 |
| 158065 | RK34MSNBRE | G 3/4 | 20 | 16 | 34 | 52.0 | 58.0 | 38.5 |
| 158066 | RK1MSNBRE | G 1 | 25 | 12 | 42 | 62.0 | 66.0 | 42.0 |
| 158067 | RK114MSNBRE | G 1 1/4 | 32 | 10 | 50 | 72.0 | 76.0 | 47.0 |
| 158068 | RK112MSNBRE | G 1 1/2 | 40 | 10 | 57 | 81.0 | 86.0 | 54.0 |
| 158069 | RK2MSNBRE | G 2 | 50 | 10 | 69 | 94.0 | 98.7 | 59.0 |

Min. opening pressure



Flow rate with water



| SIZE | 3/8" | 1/2" | 3/4" | 1" | 1 1/4" | 1 1/2" | 2" | 2 1/2" | 3" | 4" |
|------|------|------|------|----|--------|--------|----|--------|-----|-----|
| Kv | - | 3,60 | 9,50 | 23 | 35 | 56 | 86 | 222 | 360 | 540 |